

SEG TENSION FRAME



Sizes Available

100 x 70cm

100 x 100cm

200 x 100cm

300 x 150cm

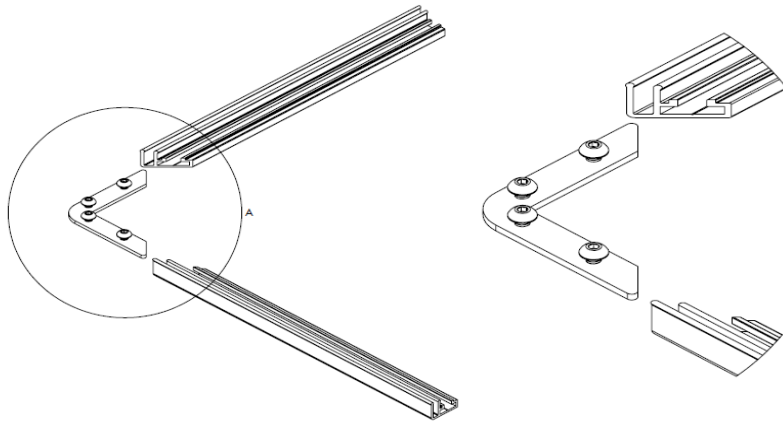
Custom sizes also available

Suitable Media

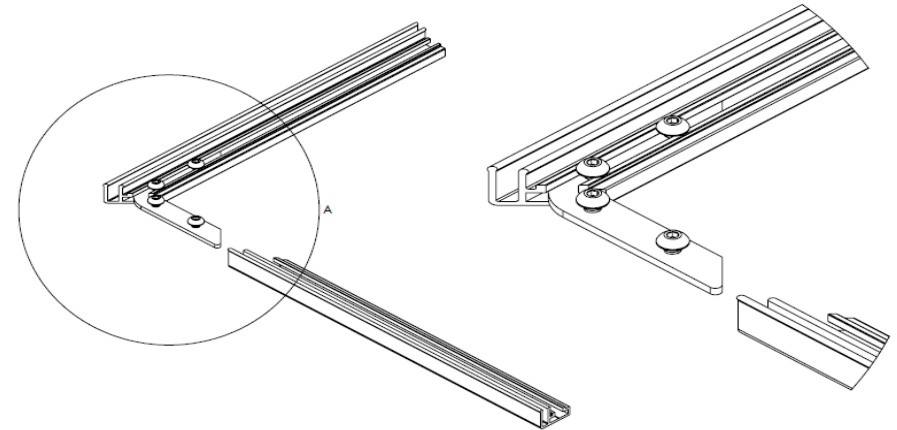
Display Polyester 215gsm

ASSEMBLY INSTRUCTIONS

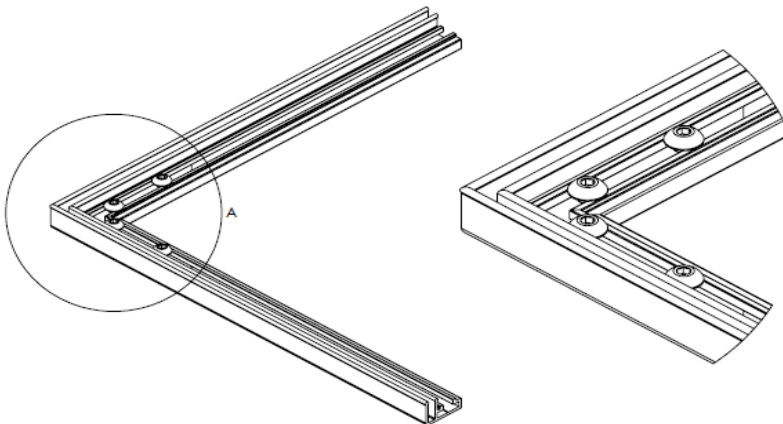
- 1 Light up to Mitred extrusions which are to be connected as a corner.



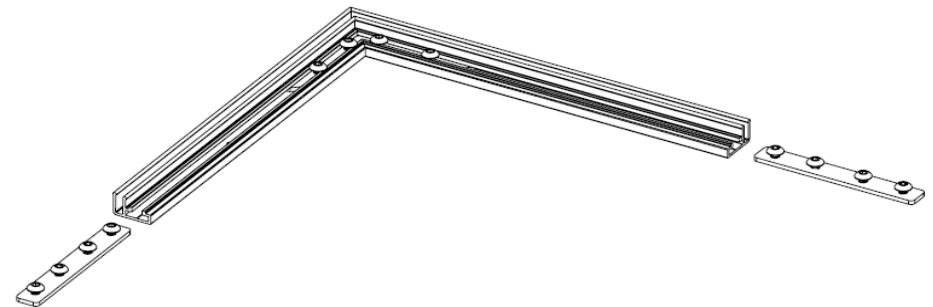
- 2 Use a corner bracket and slide into the channel of the extrusion. Repeat action 2 on the opposite side.



- 3 Secure two extrusions so that the two extrusions meet in the corner and tighten up four screws of the bracket.

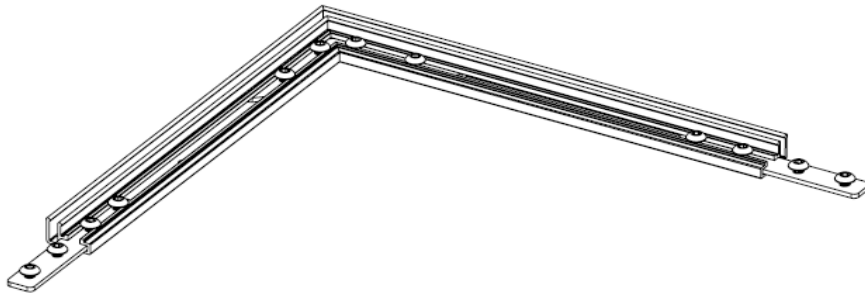


- 4 Add straight In-line bracket to each side.



ASSEMBLY CONTINUED

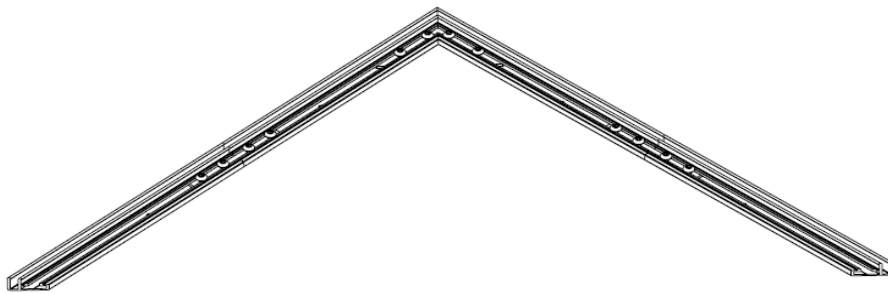
5 Tighten two screws.



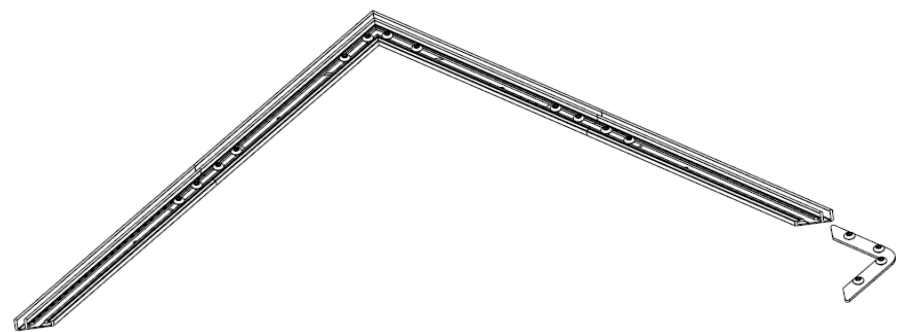
6 Slide on the next extrusion onto the in-line bracket.



7 Tighten the remaining two screws.

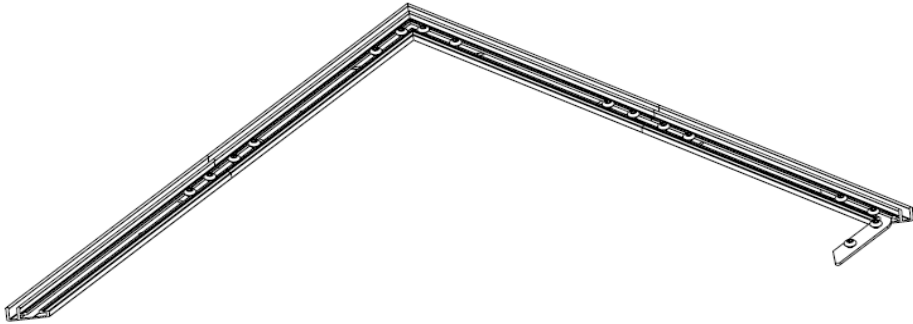


8 Repeat action 1.

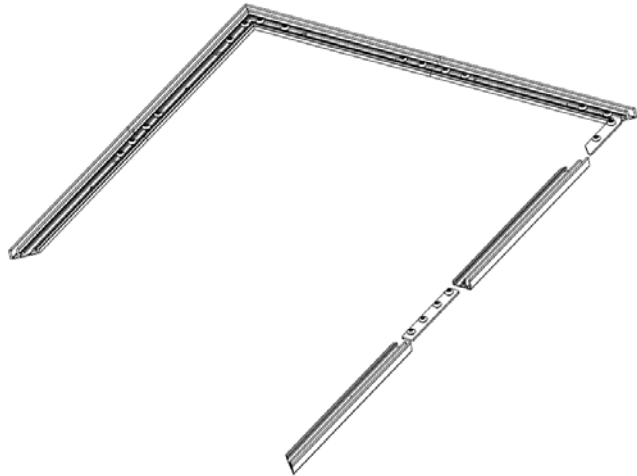


ASSEMBLY CONTINUED

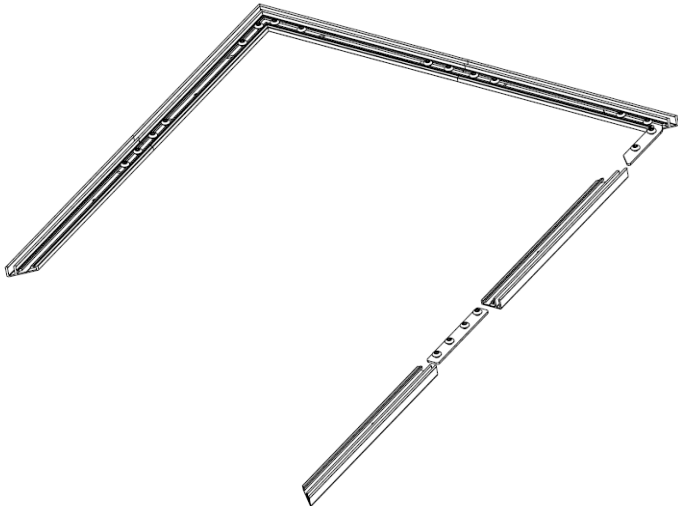
9 Repeat action 2.



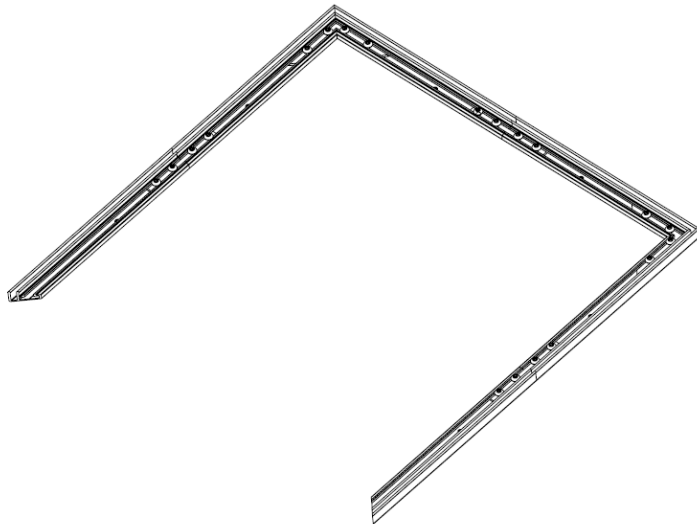
10 Repeat action 3.



11 Repeat action 4.

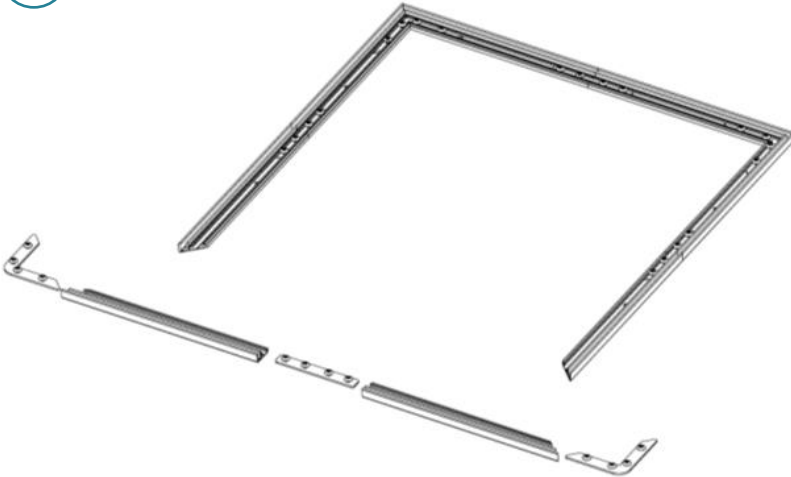


12 Repeat action 5.

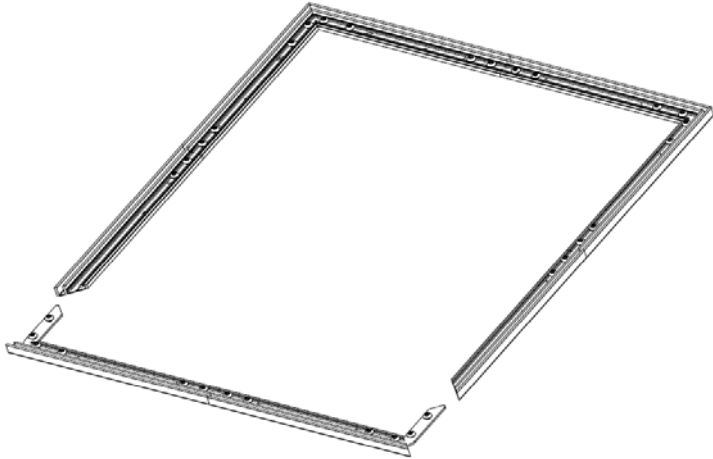


ASSEMBLY CONTINUED

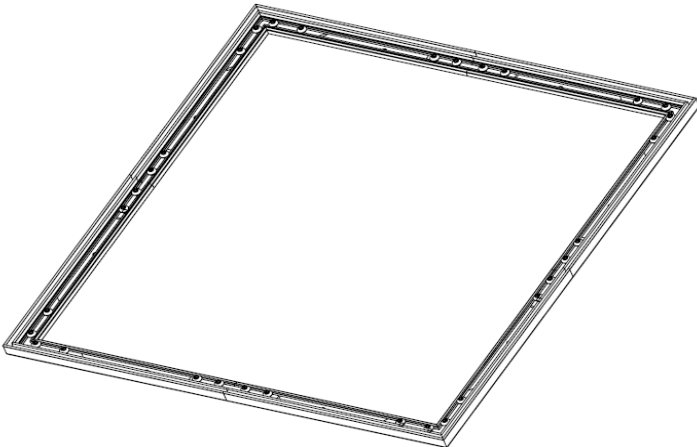
13 Repeat action 6.



14 Repeat action 7.



15 Tighten the remaining screws.



16 Holes within the frame are for mounting your SEG Tension Frame to a wall. Maximum distance between holes is 500mm.

